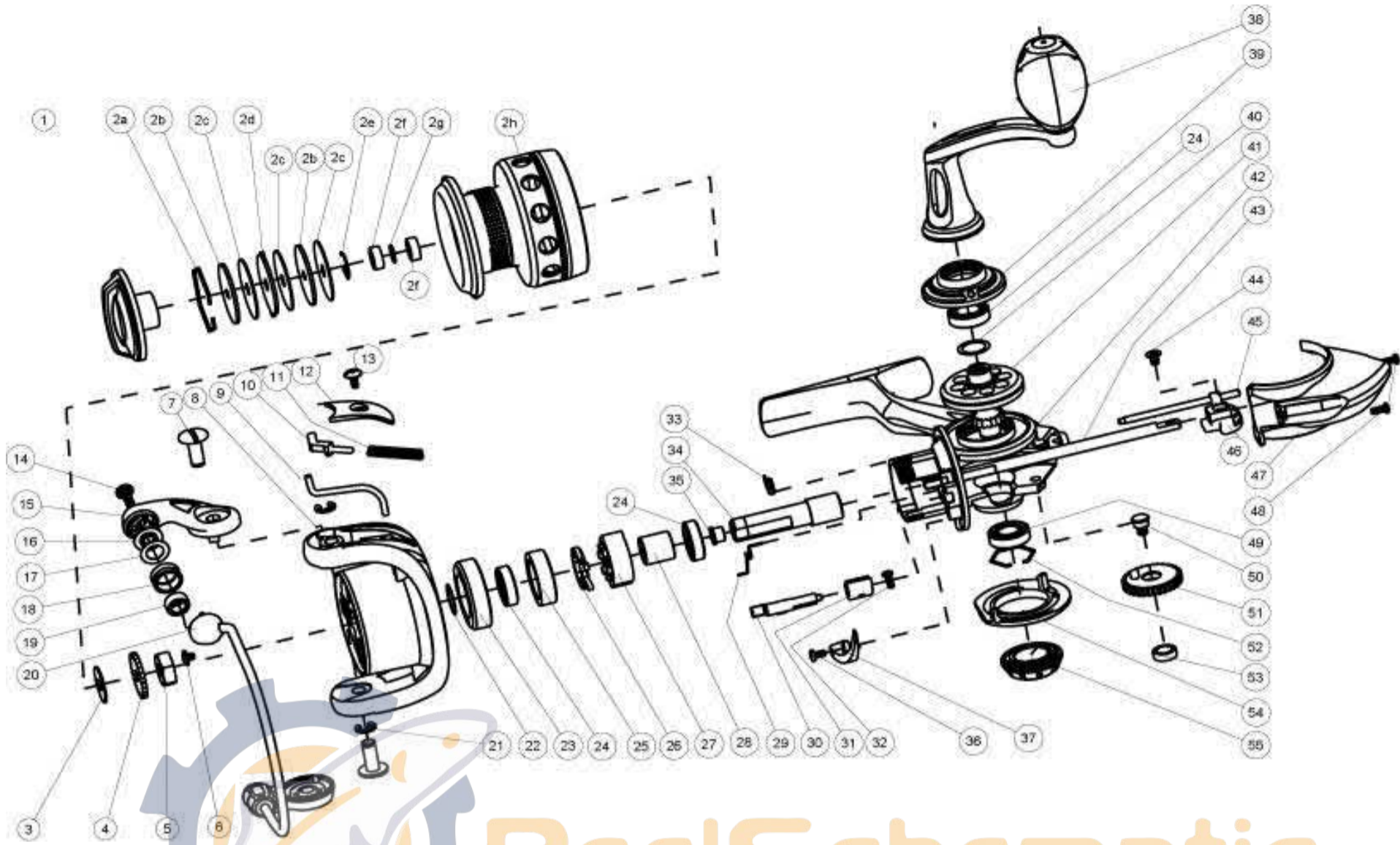


# QUANTUM

## TH30



### Quantum THROTTLE - TH30 Part List

| Key No. | Description              | Part No.<br>TH30 | Qty | Key No. | Description                    | Part No.<br>TH30 | Qty |
|---------|--------------------------|------------------|-----|---------|--------------------------------|------------------|-----|
| 1       | Drag Knob Assembly       | TAD332-02        | 1   | 25      | Clutch Bearing Adapter         | TAD190-01        | 1   |
| 2       | Spool Assembly           | UAD321-01        | 1   | 26      | One Way Clutch lever           | BAA064-02        | 1   |
| 2a      | Retainer Ring            | BAA038-00        | 1   | 27      | One Way Clutch                 | BAA063-01        | 1   |
| 2b      | Drag Washer "D"          | TAD080-01        | 2   | 28      | Sleeve                         | BAA139-01        | 1   |
| 2c      | Drag Washer "B"          | BAA033-01        | 2   | 29      | Stopper Cam spring             | TAD089-02        | 1   |
| 2d      | Drag Washer "A"          | TAD081-01        | 1   | 30      | Stopper Cam                    | BAA090-01        | 1   |
| 2e      | Retainer Ring            | BAA119-01        | 1   | 31      | Stopper Lever                  | BAA059-01        | 1   |
| 2f      | Spool Ball Bearing       | GH202A-01        | 2   | 32      | Stopper Lever Screw            | BAA135-01        | 1   |
| 2g      | WASHER                   | BAA076-01        | 2   | 33      | Clutch spring                  | BAA216-01        | 1   |
| 2h      | Spool                    | UAD020-02        | 2   | 34      | Pinion Gear                    | TAD011-01        | 1   |
| 3       | Spool Adjust Washer      | TAD030-01        | 2   | 35      | Pinion Bushing                 | TAD213-01        | 1   |
| 4       | Clicker Gear             | TAD037-01        | 1   | 36      | Trip Ramp Screw                | UAA123-01        | 1   |
| 5       | Rotor Nut                | TAD006-01        | 1   | 37      | Trip Ramp                      | TAD119-01        | 1   |
| 6       | Rotor Nut Lock Screw     | BAA094-01        | 1   | 38      | Handle Assembly                | TAD318-01        | 1   |
| 7       | Arm Lever Screw          | TAD042-01        | 2   | 39      | Body Side Ring                 | TAD142-01        | 1   |
| 8       | Rotor                    | UAD009-01        | 1   | 40      | Drive Gear Adjust Washer       | BAA105-02        | 2   |
| 9       | Kick Lever               | UAD019-01        | 1   | 40a     | Drive Gear Adjust Wave Washer  | TAD105-01        | 1   |
| 10      | Bail Actuator            | BAA031-01        | 1   | 41      | Drive Gear Assembly            | BAD312-01        | 2   |
| 11      | Bail Spring              | TAD022-01        | 1   | 42      | Body Assembly                  | TAD301-01        | 1   |
| 12      | Arm Lever Cover          | UAD087-01        | 1   | 43      | Main Shaft                     | TAD015-00        | 1   |
| 13      | Arm Lever Cover Screw    | TAD077-01        | 1   | 44      | Main Shaft Screw               | BAA100-01        | 1   |
| 14      | Line Roller Screw        | BAA108-01        | 1   | 45      | O/S Guide Pin                  | TAD093-00        | 1   |
| 15      | Arm Lever                | TAD007-01        | 1   | 46      | O/S Slider                     | TAD025-01        | 1   |
| 16      | Line Roller Collar       | CAA102-01        | 1   | 47      | Body Rear Cap                  | TAD140-01        | 1   |
| 17      | Line Roller Washer       | BAA102-01        | 1   | 48      | Rear Cap Screw "A" - M2 x 5mm  | BAA135-01        | 2   |
| 18      | Line Roller              | BAA004-01        | 1   | 49      | Body Ball Bearing dia7xdia14x4 | TAD157-02        | 1   |
| 19      | Line Roller Ball Bearing | GH202-01         | 1   | 50      | O/S Gear Pin                   | TAD062-01        | 1   |
| 20      | Bailwire Assembly        | UAD347-01        | 1   | 51      | O/S Gear                       | TAD053-01        | 1   |
| 21      | "E" clip                 | QW120A-01        | 2   | 52      | Retainer Ring                  | TAD038-01        | 1   |
| 22      | Rotor Adjust Washer      | BAA105-03        | 2   | 53      | O/S Gear Bearing               | CT157-02         | 1   |
| 23      | Clutch Bearing Cap       | TAD040-01        | 1   | 54      | Body Trim Ring                 | TAD145-01        | 1   |
| 24      | Pinion Ball Bearing      | CAA157-02        | 3   | 55      | Handle Cap                     | TAD054-01        | 1   |